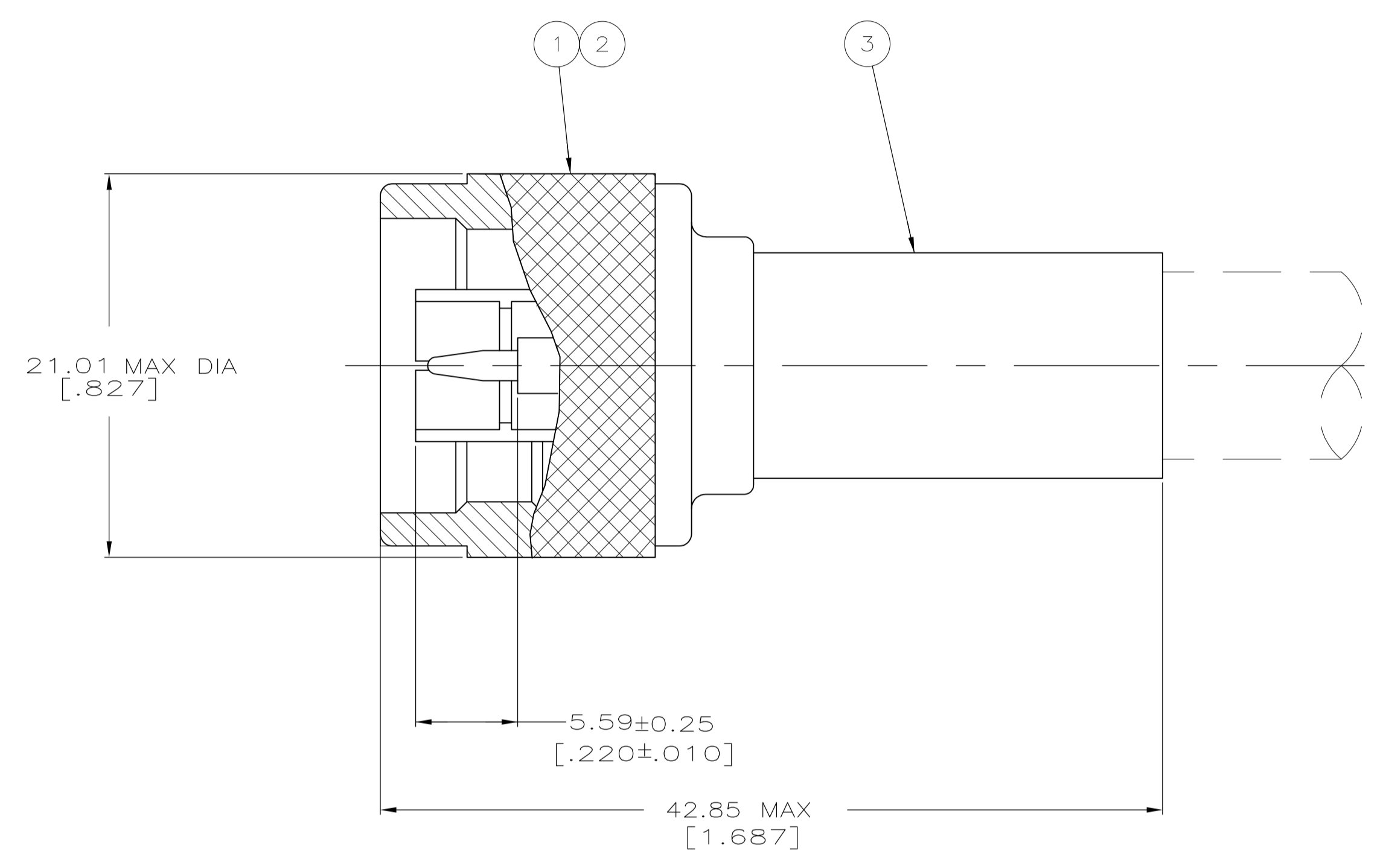
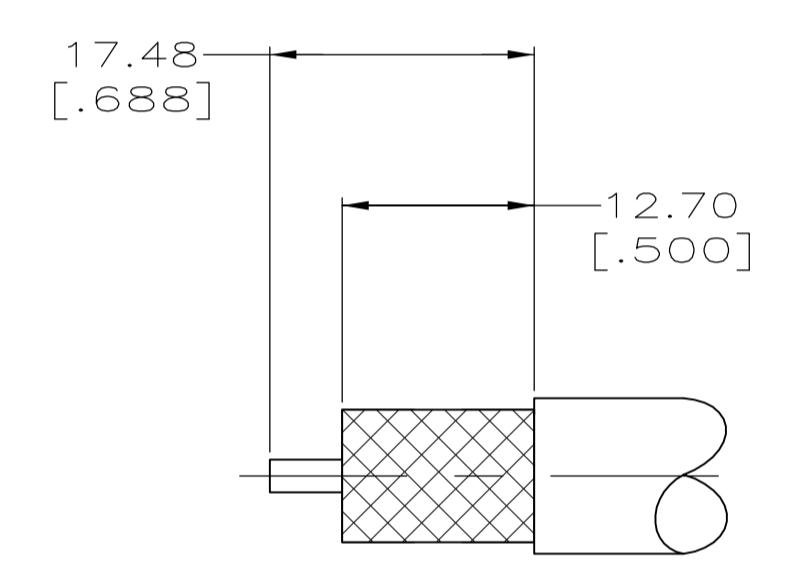


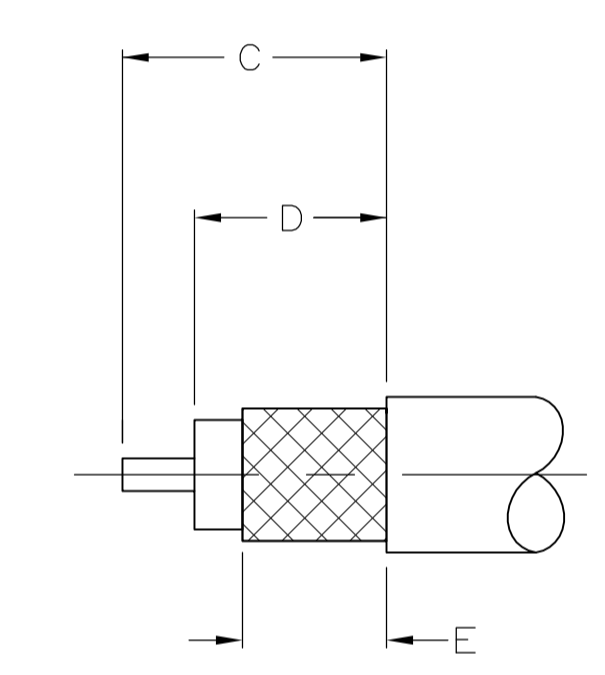
LOC		DIST		REVISIONS			
REV	DATE	DESCRIPTION	DATE	BY	APPV		
0	31JAN2005	REV PER EC-0514-0496-04	31JAN2005	AF	-		
01	31OCT09	REVISED PER ECO-09-024606	31OCT09	KK	AEG		



- 1. SEE I.S. 2028-1
- 2. SEE SEPERATE RESTRICTED CUSTOMER DRAWING
- 3. OBSOLETE PARTS: OBSOLETE CIS STREAMLINING PER D.RENAUD/D.SINISI



DETAIL A  
SCALE 2:1



DETAIL B  
SCALE 2:1

RECOMMENDED STRIP LENGTH

CABLE	CRIMPING TOOL	E	D	C	DETAIL	3 FERRULE QTY=1	2 CONTACT QTY=1	1 PLUG ASSY QTY=1	PART NUMBER
BELDEN 8214	220015-1	9.53 [.375]	12.70 [.500]	17.45 [.687]	B	9-51713-0	1-51695-2	51701-6	1-5225661-6
RG-55A & 223	220045-2	8.71 [.343]	10.31 [.406]	15.09 [.594]	B	9-225382-0	225343-2	225342-3	1-5225661-3
RG-58A/U & 58C/U	220045-2	8.71 [.343]	10.31 [.406]	15.09 [.594]	B	9-225381-0	225343-2	225342-3	1-5225661-2
RG-213/U	220015-1	9.53 [.375]	12.70 [.500]	17.45 [.687]	B	9-51713-0	2-51695-1	51701-6	5225661-2
RG-9/U & 214/U	220015-1	-	-	-	A	9-51713-0	2-51695-1	51701-6	5225661-1

THIS DRAWING IS A CONTROLLED DOCUMENT.

DIMENSIONS: MM [INCHES]	TOLERANCES UNLESS OTHERWISE SPECIFIED:	0. PL ± -	1. PL ± -	2. PL ± 0.41 [.016]	3. PL ± -	4. PL ± -	ANGLES ± -
MATERIAL	FINISH	APPROVED: J. HAVENER		APPROVED: G. MICHAEL		DATE: 31JAN2005	
CUSTOMER DRAWING		SIZE: A1	CAGE CODE: 00779	DRAWING NO: 5225661	RESTRICTED TO: -		

Scale: 4:1, Sheet 1 of 1, Rev 01